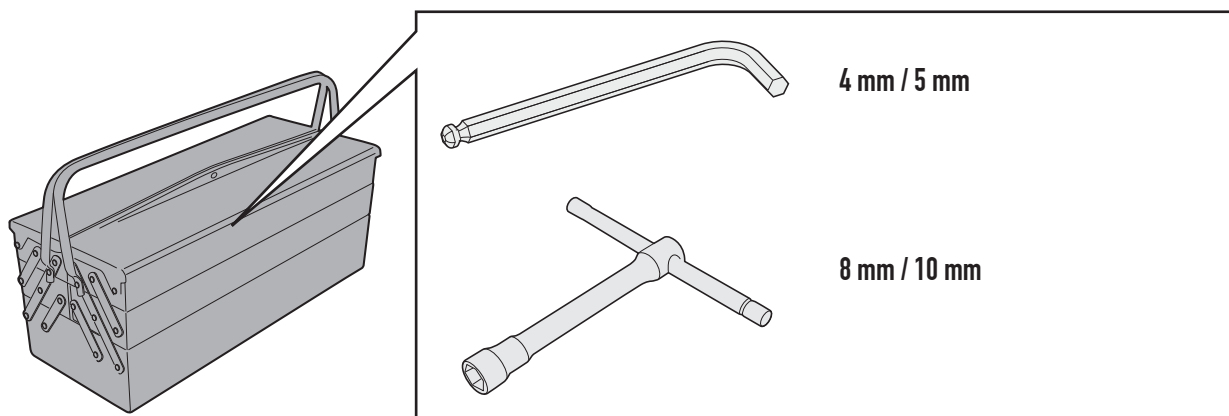
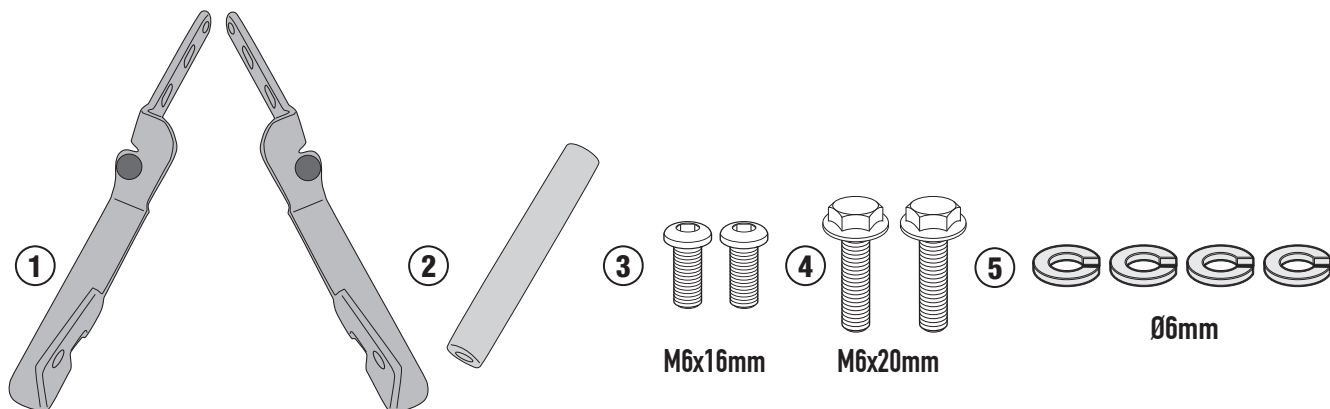


FB1179 – KFB1179
Traversino – Fairing upper bracket – Support gps pour carenage – Barra –
Halterung zur montage am windschild – Suporte
HONDA CRF1100L AFRICA TWIN (2020)

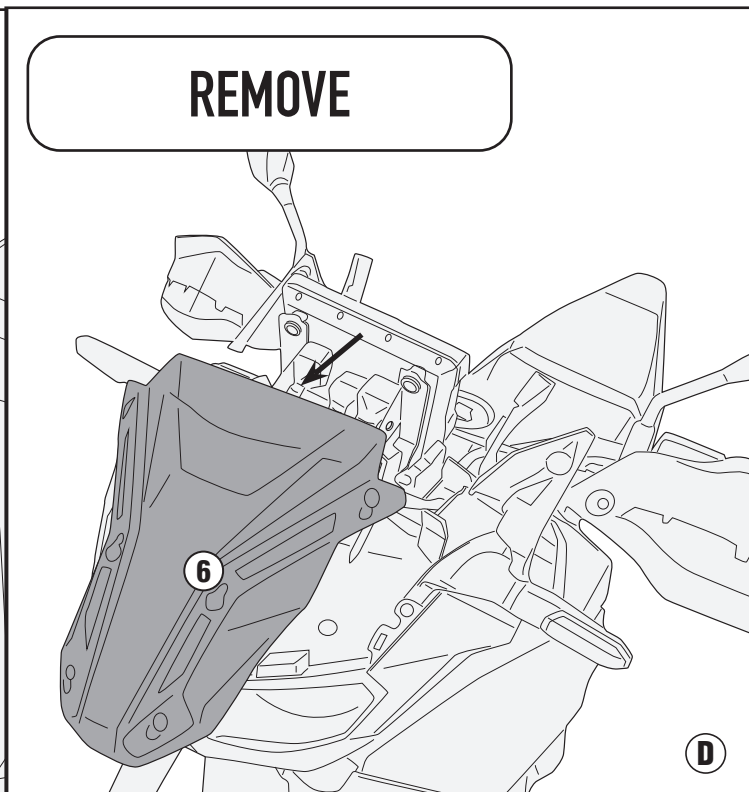
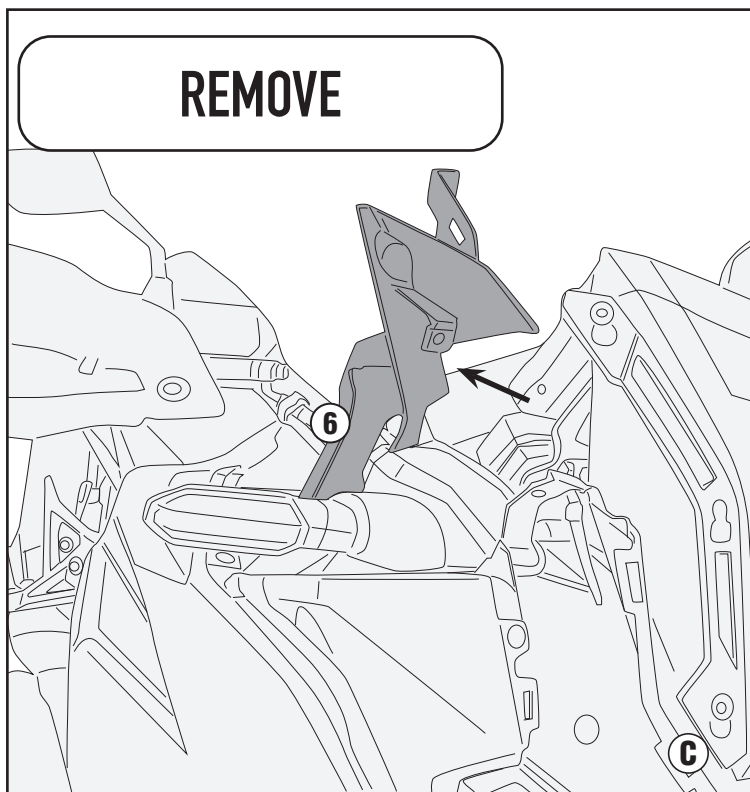
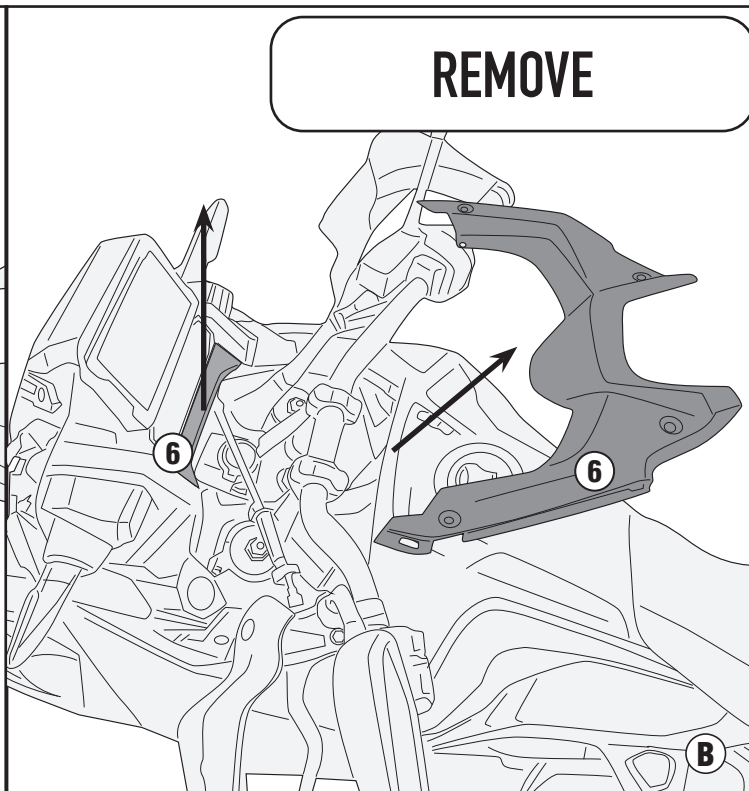
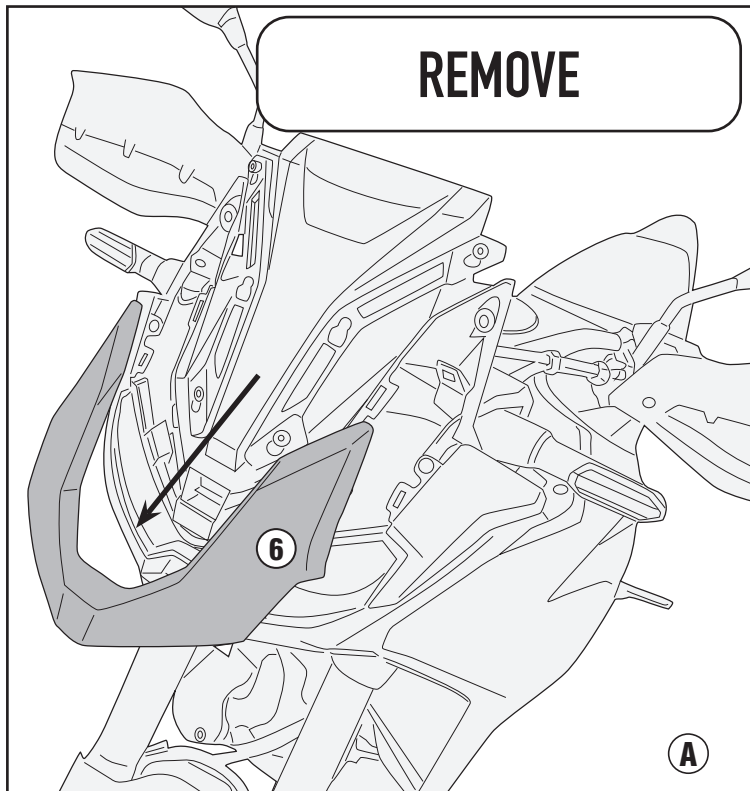
| N° | Descrizione/Description | Caratteristiche/Features | Codice/Code | Quantità/Quantity |
|----|---|--------------------------|------------------------|-------------------|
| 1 | Supporto laterale - Lower frame Support latéral - Soporte lateral Untere Halterung - Suporte lateral | - | GL4531DXV GL4531SXV | 2 (Right/Left) |
| 2 | Supporto - Support - Support Halterung - Soporte - Apoio | - | V976v | 1 |
| 3 | Vite - Screw Vis - Schraube Tornillo - Parafuso | TBEIFF M6x16 | 616TBEIFF | 2 |
| 4 | Vite - Screw Vis - Schraube Tornillo - Parafuso | TECF M6x20 | 620TECF | 2 |
| 5 | Rondella spaccata - Split washer Scheibe - Rondelle fendue Arandela seccionada - Arruela quebrada | Ø6 | Z1063 | 4 |
| 6 | Componenti Originali - Original Parts Parties Originales - Original Bauteile Componentes Originales - Componentes Originais | - | - | - |

FB1179 - KFB1179

Traversino - Fairing upper bracket - Support gps pour carenage - Barra -
 Halterung zur montage am windschild - Suporte
HONDA CRF1100L AFRICA TWIN (2020)



FB1179 - KFB1179
Traversino - Fairing upper bracket - Support gps pour carenage - Barra -
Halterung zur montage am windschild - Suporte
HONDA CRF1100L AFRICA TWIN (2020)



FB1179 - KFB1179
Traversino - Fairing upper bracket - Support gps pour carenage - Barra -
Halterung zur montage am windschild - Suporte
HONDA CRF1100L AFRICA TWIN (2020)

